



# Ultrasonic Cleaners

- Useful for Cleaning to Remove Dirt, Grease, Waxes and Oil from all Lab Instruments by Ultrasonic Frequency
- HF-Frequency : 40kHz
- Drain is mounted in the bottom (Over 10Lit. Capacity models)
- Degassing Function (only WUC-D03H model) : Very Strong Cleansing

- ❁ **Analog Ultrasonic Cleaners** ..... P. 160
- ❁ **Digital Ultrasonic Cleaner-set** ..... P. 161
- ❁ **Large Capacity Ultrasonic Cleaner-set** ..... P. 162

## ❁ Analog Ultrasonic Cleaners (WUC-A model)



## ❁ Digital Ultrasonic Cleaner (WUC-D model)



## ❁ Large Capacity Ultrasonic Cleaner-set (WUC-N model)



Cat. No	Description
---------	-------------

Articles
----------

**“witeg” WiseClean® WUC Analog Ultrasonic Cleaners, Timer/Temp. Output Controller with Stainless Steel Flat Lid, Highly Effective Cleaning, up to 85 °C, 0~30min, 28/40kHz Frequency, without Basket**

- Made of Stainless Steel, Finished Surface
- Analog Controller, Timer, Temperature and Output Control
- CE Certified

- \* Useful for Cleaning to Remove Dirt, Grease, Waxes and Oil from all Lab Instruments by Ultrasonic Frequency
- \* Made of Stainless Steel, Finished Surface
- \* Analog Controller, Timer, Temperature and Output Control
- \* Temperature Range from Ambient to 85 °C. (1,2 & 1,8 Lit. : 65 °C Fixed)
- \* Convenient Preset Function : Heating and Timer
- \* HF-Frequency : 40kHz
- \* Bottom-Mounted Drain (WUC-A10H and WUC-A22H)
- \* Maximum 30 minutes of Cleaning Time (Except WUC-A10H)

**Specification**

Capacity & Models	1.2 Lit. "WUC-A01H"	1.8 Lit. "WUC-A02H"	3.3 Lit. "WUC-A03H"	6 Lit. "WUC-A06H"	10 Lit. "WUC-A10H"	22 Lit. "WUC-A22H"
Frequency	40KHz					
HF-Peak Out	72W	75W	124W	168W	265W	379W
Heating Temp.	65°C Fixed	65°C Fixed	ambient to 85°C	ambient to 85°C	ambient to 85°C	ambient to 85°C
Heating Power	86W	86W	172W	172W	258W	275W
Timer	None	0~30 min.	0~30 min.	0~30 min.	0~30 min.	0~30 min.
Drain-Valve	None	None	None	None	1/2" NPT	1/2" NPT
Tank Size inner (w x d x h) (mm)	150 x 135 x 60	150 x 135 x 100	240 x 140 x 100	290 x 150 x 150	290 x 240 x 150	500 x 300 x 150
Weight	1.8kg	2.5kg	4kg	5.3kg	7kg	11kg
Packing Dimension (w x d x h) (cm)	20 x 20 x 19	20 x 20 x 24	32 x 20 x 29	37 x 22 x 35	43 x 32 x 36	64 x 38 x 37
Gross Weight	3 kg	4 kg	5 kg	6 kg	7 kg	11 kg
Power Consumption	158W	161W	296W	340W	523W	654W
Power plug type	Hybrid E+F					
Power Supply*	AC 230V, 1N~, 50/60Hz					

\* Other Specifications are available upon Customer's Request.

**Ordering Information**

**Analog Ultrasonic Cleaner, with Flat Lid, without Wire Basket**

- DH.WUC.A01H Ultrasonic Cleaner, 230V, "WUC-A01H", 1,2 Lit,
- DH.WUC.A02H "WUC-A02H", 1,8 Lit.
- DH.WUC.A03H "WUC-A03H", 3,3 Lit.
- DH.WUC.A06H "WUC-A06H", 6 Lit.
- DH.WUC.A10H "WUC-A10H", 10 Lit.
- DH.WUC.A22H "WUC-A22H", 22 Lit.

**Optional Wire Baskets, Stainless Steel**

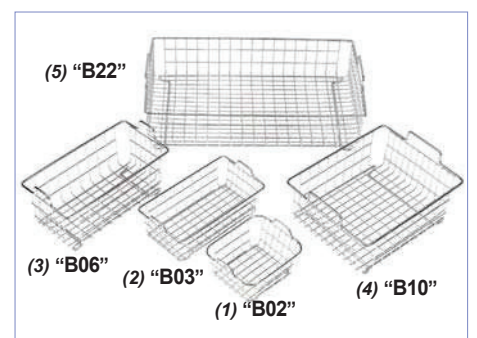
- DH.WUC.B02 (1) Basket, Wire, "B02", for 1,8 Lit., 120 x 105 x h65mm
- DH.WUC.B03 (2) "B03", for 3,3 Lit., 215 x 115 x h65mm
- DH.WUC.B06 (3) "B06", for 6 Lit., 247 x 123 x h96mm
- DH.WUC.B10 (4) "B10", for 10 Lit., 262 x 206 x h93mm
- DH.WUC.B22 (5) "B22", for 22 Lit., 452 x 263 x h93mm



**2-Year Warranty**  
Analog Ultrasonic Cleaner "WUC-A10H" with Flat Lid



Analog Ultrasonic Cleaner "WUC-A06H" with Flat Lid



**Stainless Steel Wire Baskets (Optional)**

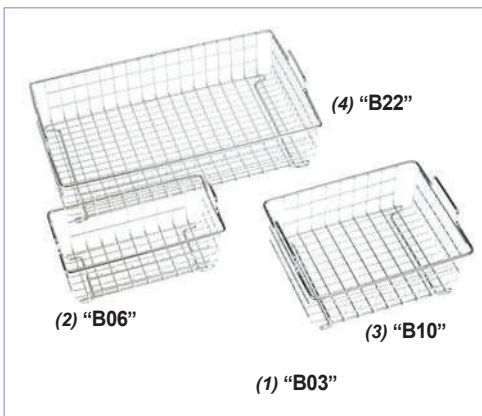
**“witeg” WiseClean® WUC Digital Ultrasonic Cleaner-set, Microprocessor Control, 3-/6-/10-/22- Lit. with Stainless Steel Wire Basket & Flat Lid, Highly Effective Cleaning, up to 80°C, 0~60min, 40kHz Frequency**



Digital Ultrasonic Cleaner Set, “WUC - D10H” with Flat Lid and Wire Basket



Digital Ultrasonic Cleaner Set, “WUC - D03H” with Degassing Function, Flat Lid and Wire Basket



Stainless Steel Wire Baskets (included)

- Useful for Cleaning to Remove Dirt, Grease, Waxes and Oil from all Lab Instruments by Ultrasonic Frequency
- Microprocessor Control : Timer, Temperature and Output Control
- CE Certified

- \* Useful for Cleaning to Remove Dirt, Grease, Waxes and Oil from all Lab instruments by Ultrasonic Frequency
- \* Microprocessor Control : Timer, Temperature and Output Control
- \* Multi-Frequency Sonication Body
- \* HF - Frequency : 40kHz
- \* Temperature Range from Ambient to 80°C
- \* Convenient Preset Function : Heating and Timer
- \* Drain is mounted in the bottom (WUC-D10H, WUC-D22H)
- \* Maximum 60 minutes of Cleaning Time
- \* **Degassing Function (only WUC-D03H model) : Very Strong Cleansing**

**Specification**

Capacity & Models	3.3 Lit. “WUC - D03H”	6 Lit. “WUC - D06H”	10 Lit. “WUC - D10H”	22 Lit. “WUC - D22H”
Frequency	40kHz	40kHz	40kHz	40kHz
HF-peak out	100W	253W	407W	528W
Heat temp.	ambient to 80°C	ambient to 80°C	ambient to 80°C	ambient to 80°C
Heating Power	172W	172W	258W	344W
Timer	0~30 min.	0~60 min.	0~60 min.	0~60 min.
Display	FND Display			
Drain-valve	None	None	1/2" NPT	1/2" NPT
Tank Size inner (w×d×h) (mm)	240×140×100	290×150×150	290×240×150	500×300×150
Weight net	4kg	5,4kg	8,1kg	12,3kg
Packing Dimension (w×d×h) (mm)	320×200×290	360×220×350	440×320×360	640×380×370
Gross Weight	5 kg	6 kg	8 kg	11 kg
Power Consumption	290W	425W	665W	872W
Power plug type	Hybrid E+F			
Power Supply*	AC 230V, 1N~, 50/60Hz			

\* Other Specifications are available upon Customer's Request.

**Ordering Information**

**Analog Ultrasonic Cleaner, with Flat Lid, without Wire Basket**

- DH.WUC.D03H Ultrasonic Cleaner, Digital, 230V, “WUC-D03H”, 3,3 Lit. **New!**
- DH.WUC.D06H “WUC-D06H”, 6 Lit.
- DH.WUC.D10H “WUC-D10H”, 10 Lit.
- DH.WUC.D22H “WUC-D22H”, 22 Lit.

**Spare Wire Baskets, Stainless Steel**

- DH.WUC.B03 (1) Basket, Wire, “B03”, for 3.3 Lit., 215×115×h65mm
- DH.WUC.B06 (2) “B06”, for 6 Lit., 247×123×h96mm
- DH.WUC.B10 (3) “B10”, for 10 Lit., 262×206×h93mm
- DH.WUC.B22 (4) “B22”, for 22 Lit., 452×263×h93mm

Cat. No	Description
---------	-------------

Articles
----------

**“witeg” WiseClean® WUC Large Capacity Ultrasonic Cleaner-set, Remote Control System, 30~74 Lit. with Digital Remote Generator/Stainless Steel Flat Lid/Drain Valve, Highly Effective Cleaning, without Basket, up to 105 °C, 40kHz**

- Useful for Cleaning to Remove Dirt, Grease, Waxes and Oil from all Lab Instruments by Ultrasonic Frequency
- Remote Generator : Power Control and Timer Function with LCD
- CE Certified

- \* Useful for Cleaning to Remove Dirt, Grease, Waxes and Oil from all Lab Instruments by Ultrasonic Frequency.
- \* Remote Generator : Power Control and Timer Function with LCD
- \* BTL Sonicator Installed : Robust and Stable Running
- \* Sweep Function can Realize Complete Cleaning by the Dispersion of Ultrasound
- \* Auto Optimization of Frequency as various Water Level and Temperature.
- \* Foot Switch Control
- \* HF-Frequency : 40kHz
- \* Temperature Range from Ambient to 105°C
- \* Supply Full Set with Lid, Foot Switch and Generator (Basket excluded)
- \* Drain is mounted in the bottom
- \* Maximum 99minutes of Cleaning Time



Large Capacity Ultrasonic Cleaner-set Without Basket “WUC-N47H”



Stainless Steel Wire Basket (Optional)

**Specification**

Model	30 Lit. “WUC-N30H”	47 Lit. “WUC-N47H”	60 Lit. “WUC-N60H”	74 Lit. “WUC-N74H”
HF-frequency	40kHz	40kHz	40kHz	40kHz
HF-peak out	704W	990W	1,210W	1,430W
Heat temp.	ambient to 105°C	ambient to 105°C	ambient to 105°C	ambient to 105°C
Heating Power	990W			
Timer (min)	0~99 min.	0~99 min.	0~99 min.	0~99 min.
Tank Size inner (w×d×h) (mm)	400×300×250	450×350×300	500×400×300	550×450×300
Tank Size external (w×d×h) (mm)	480×380×400	530×430×450	530×430×450	580×480×450
Power Consumption	1.694W	1.980W	2.200W	2.420W
Weight net	26kg	31kg	36kg	41kg
Packing Dimension (w×d×h) (mm)	620×520×640	670×570×710	720×620×710	770×670×710
Gross Weight	32 kg	37 kg	42 kg	47 kg
<b>Remote Generator</b>				
Display	LCD Display			
Power Consumption	600W	900W	1,200W	1,500W
Power plug type	Hybrid E+F			
Power Supply*	AC 230V, 1N~, 50/60Hz			
Weight net	9kg	10kg	10kg	10kg

\* Other Specifications are available upon Customer’s Request.

**Ordering Information**

**with Remote Generator & Flat Lid, without Basket**

- DH.WUC.N30H Ultrasonic Cleaner, 230V, “WUC-N30H”, 30Lit.
- DH.WUC.N47H , “WUC-N47H”, 47Lit.
- DH.WUC.N60H , “WUC-N60H”, 60Lit.
- DH.WUC.N74H , “WUC-N74H”, 74Lit.

**Optional Wire Baskets, Stainless Steel**

- DH.WUC.B30 Basket, Wire, “B30”, for 30Lit., 340×240×h150mm
- DH.WUC.B47 , “B47”, for 47Lit., 390×290×h200mm
- DH.WUC.B60 , “B60”, for 60Lit., 440×340×h200mm
- DH.WUC.B74 , “B74”, for 74Lit., 490×390×h200mm